



KITS



PUMPS



METERS



METERED NOZZLES



NOZZLES



WASTE OIL EQUIPMENTS

# VISCOTROLL VANE

## FEATURES

- HIGH CAPACITY PUMP
- READY TO USE
- ROTATING DISC FLOW METER (K33 ONLY)
- STURDY DESIGN CART

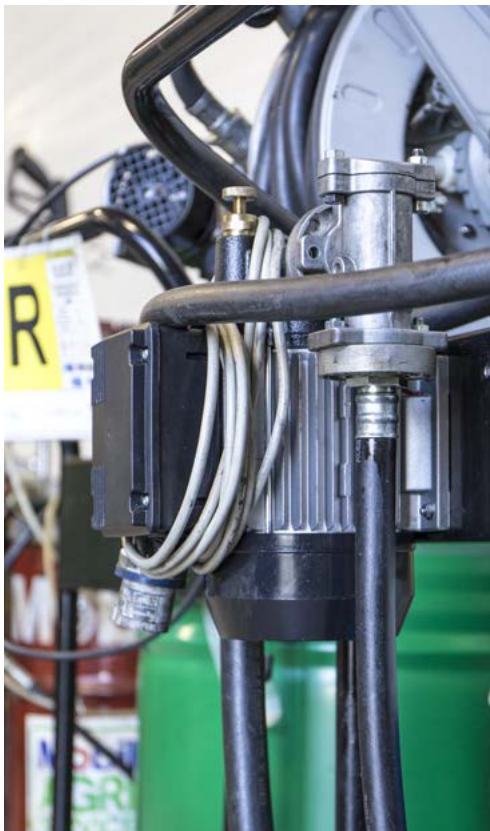
The PIUSI VISCOTROLL VANE is a mobile oil dispenser suitable to transfer low viscosity lubricants. This versatile mobile cart includes the AC powered PIUSI VISCOMAT PUMP, and SELF3000 manual nozzle.

### PERFORMANCE

UP TO <b>25 L/MIN</b>	BELOW <b>70 DB</b>
FLOW RATE	NOISE LEVEL
<b>± 1%</b>	UP TO <b>500 cSt</b>
ACCURACY	VISCOSITY



VISCOTROLL VANE



### PACKAGING

CODE	WEIGHT		PACKAGING			
	KG	LBS	MM	INCH	PCS/PALLET	PCS/BOX
<b>VISCOTROLL VANE</b>						
000263100	34	75	1090X690X300	42,9X27,2X11,8		1
000263110	36	79,4	1090X690X300	42,9X27,2X11,8		1



FILTRATION



FLUID MONITORING



TANK MONITORING



HOSE REELS



ACCESSORIES



MERCHANDISE

INDEX



AIR



ANTIFREEZE



AdBlue®



BIODIESEL



DIESEL



FOOD



GASOLINE



GREASE



KEROSENE



OIL



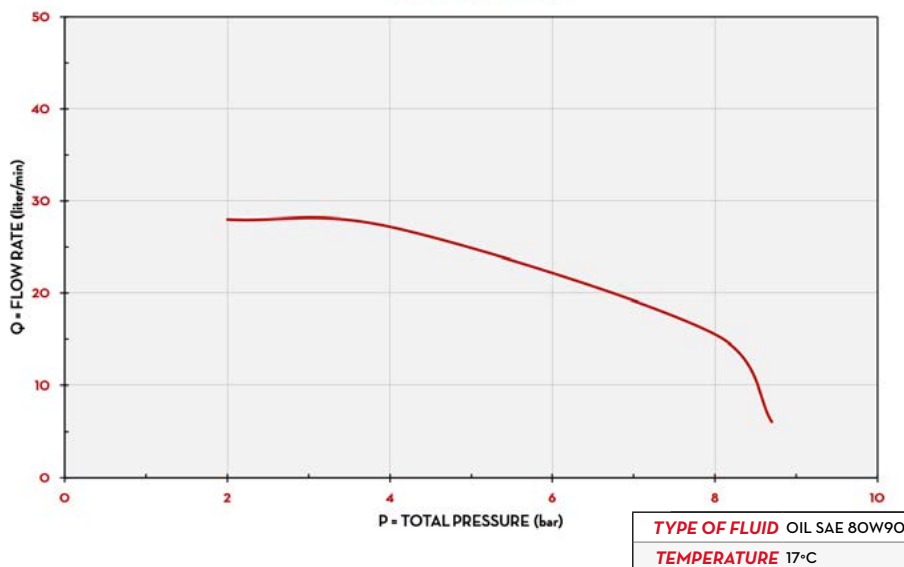
WATER



WINDSCREEN

### CHART

#### VISCOMAT VANE



### IN THE BOX

- VISCOSAT PUMP
- FOOT VALVE
- SELF3000 NOZZLE
- CART
- INSTRUCTION MANUAL

### DETAILS



SELF3000 MANUAL NOZZLE

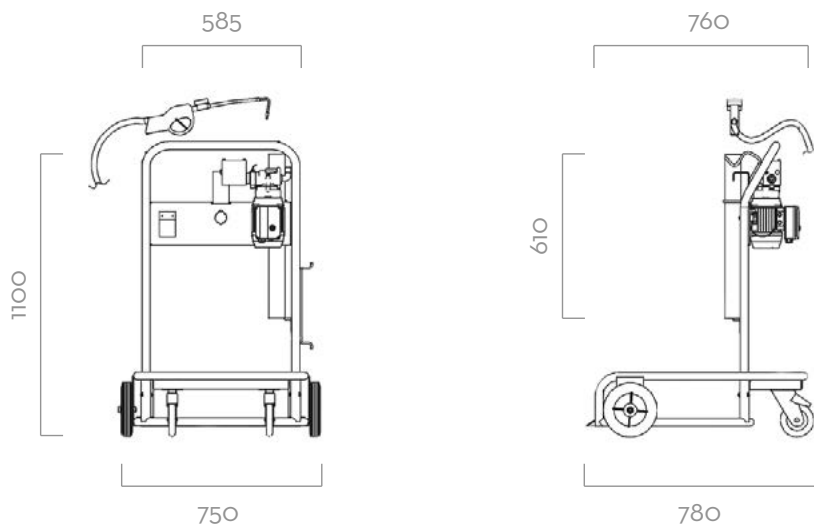


ON/OFF SWITCH



FOOT VALVE

### DIMENSIONS



Dimensions expressed in millimeters

### MATERIALS/COMPONENTS

- **PUMP:**  
VISCOSAT VANE PAG. 32
- **METERS:**  
K33 PAG. 82
- **NOZZLE SELF3000:**  
BODY: ALLUMINIUM  
SEAL: VITON

### TECHNICAL DATA

CODE	DESCRIPTION	FLUIDS TYPE	FLOW RATE		VISCOSITY CST MAX.	VOLTAGE			METER MOD.	PUMP MOD.	NOZZLE TYPE
			L/MIN	GPM		AC V <sub>r</sub> /HZ DC VOLT	POWER WATT	AMP. MAX.			
000263100	VISCOTROLL 70		25	6,6	500	230/50	750	4,6	-	VISCOSAT 70M	SELF3000
000263110	VISCOTROLL 70/K33		25	6,6	500	230/50	750	4,6	K33	VISCOSAT 70M	SELF3000

UPON REQUEST IT IS AVAILABLE WITH DIFFERENT VOLTAGE AND FREQUENCY

## VISCOTROLL VANE

MOBILE

21