



FUEL MANAGEMENT SYSTEMS



DISPENSERS



KITS



PUMPS



METERS



NOZZLES

# PIUSI HAND PUMP

## FEATURES

- OPTIMIZED SUCTION CAPACITY
- STURDY CONNECTOR
- HEAVY DUTY LEVER
- FLUENT REVOLUTION
- HIGH EFFICIENCY
- ADJUSTABLE SUCTION PIPE

The PIUSI HAND PUMP is a rotary vane pump suitable for transferring low viscosity oils and diesel. Entirely designed, manufactured and certified in Italy, this sturdy pump guarantees a professional performance and easy transfer.

## PERFORMANCE

UP TO

**38L**

PER 100 REVOLUTIONS  
FLOW RATE

**3MT**

LENGTH  
DELIVERY HOSE



PIUSI HAND PUMP WITH HOSE AND STAINLESS STEEL SPOUT



## PACKAGING

CODE	WEIGHT		PACKAGING			N. BOXES / EUROPALLET	
	KG	LBS	MM	INCH	PCS/BOX	✈	🚚
<b>WITHOUT HOSE</b>							
FO033250A	2,1	4,6	350X170X140	-	1	50	100
<b>WITH HOSE</b>							
FO033252A	3,2	7	300X300X180	-	1	50	100



FILTRATION



TANK MONITORING



HOSE REEL



ACCESSORIES



MERCHANDISE



ANY BIODIESEL



AIR



ANTIFREEZE



AdBlue®



BIODIESEL



DIESEL



FOOD



GASOLINE



GREASE



KEROSENE



OIL

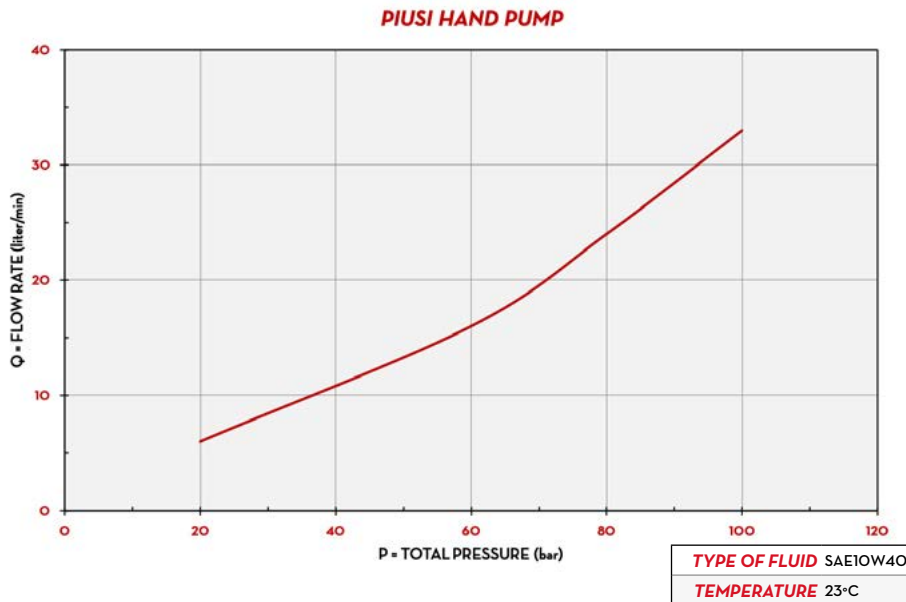


WATER

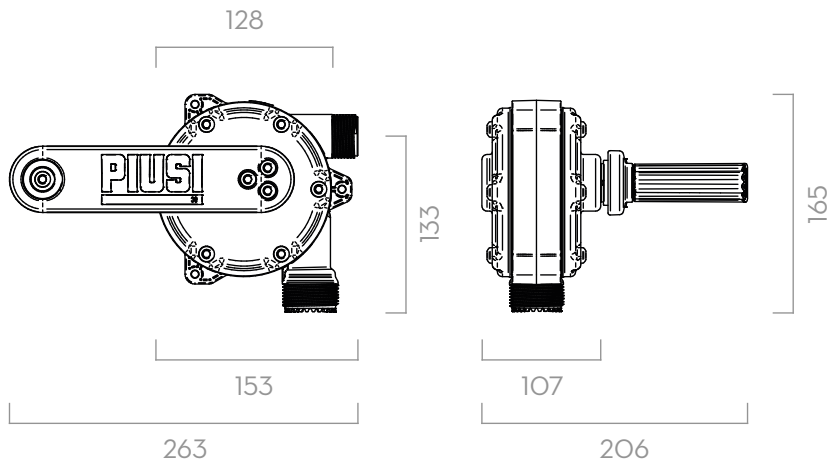


WINDSCREEN

### CHART



### DIMENSIONS



Dimensions expressed in millimeters

### IN THE BOX

- PIUSI HAND PUMP
- SPOUT
- SUCTION PIPE
- DRUM CONNECTOR
- INSTRUCTION MANUAL

### DETAILS



2" BSP DRUM CONNECTOR



SUCTION PIPE



NON-SLIP HANDLE



STAINLESS STEEL SPOUT

### MATERIALS

- BODY: STAINLESS STEEL, TECHNOPOLYMER
- ROTOR: TECHNOPOLYMER
- VANES: TECHNOPOLYMER

### TECHNICAL DATA

CODE	DESCRIPTION	FLUIDS TYPE	CAPACITY PER 100 REVOLUTIONS		DRUM CONNECTOR	SUCTION TUBE	"S" SPOUT AND HOSE TAIL	DELIVERY HOSE LENGTH
			L	USG				
<b>WITHOUT HOSE</b>								
FO033250A	PIUSI HAND PUMP 2" BSP	<span style="color: green;">D</span> <span style="color: orange;">O</span>	38	10	2" BSP	YES	YES	-
<b>WITH HOSE</b>								
FO033252A	KIT PIUSI HAND PUMP 2" BSP WITH HOSE	<span style="color: green;">D</span> <span style="color: orange;">O</span>	38	10	2" BSP	YES	-	3M

## PIUSI HAND PUMP